

Switch

IO 102-K



IO 102-K security magnetically contact detector is designed for locking doorways and windows, arranging "trapping" medium as well as locking other elements of buildings with an alarm signal raised to a control panel, concentrator or central surveillance system by opening reed switch contacts.

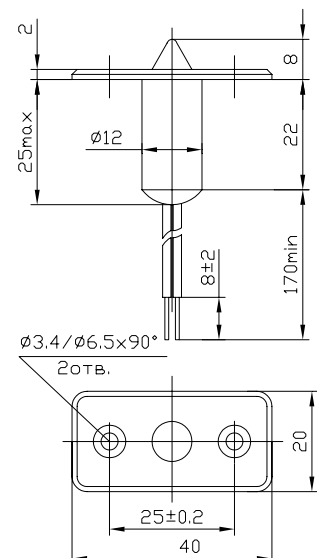
Detector consists of a button connected with the driving magnet and reed switch in plastic housing. It is designed for continuous operation.

Specifications

Switching voltage range	V	0,05 ... 72
Switching current range	mA	0,1 ... 250
Switching power, max	W	10
Number of switching cycles, min	-	$1 \cdot 10^5$
Switching frequency	Hz	1
Button travel distance, max	mm	3
Applied pressing force, max	H (kilogram-force)	2 (0,2)
Output electrical resistance:		
• at closed contacts (at (100 ± 10) mA), Ohms, max	-	0,5
• at open contacts, kOhms, min	-	200
Insulation resistance between leads of sensor, min:		
• in normal climatic conditions	Ohms	$5 \cdot 10^6$
• at high relative humidity 98% at $+25^\circ\text{C}$		$2 \cdot 10^5$
Breakdown voltage between sensor leads and case, min	V_{AC} / V_{DC}	500 / 700
Operating temperature range	$^\circ\text{C}$	-50 ... +50
High humidity at $+25^\circ\text{C}$, max	%	98
Vibration proof at 1 to 35 Hz, max	m/sec^2 (g)	5 (0,5)
Life time, min	years	8
Weight, max	g	7,22

Installation:

Is realized on any surfaces in the preperforated opening $\varnothing 12,5\text{mm}$ by two screws M3 with flat head. Thickness of the surface should be no more than 3 mm. Switching on can be performed by force, applied either perpendicularly or parallel to mounting face. At parallel force of switching on gap 0.3 mm must be kept and in is necessary to have eased edge of switching surface of radius no less than 0,5mm.



Information could be subject to changes. For details please contact marketing department.

15.09.2011



www.rmcp.ru

JSC "RYAZAN METAL CERAMICS INSTRUMENTATION PLANT"

Russia, 390027, Ryazan, Novaya street, 51 «B»

Marketing: Tel./Fax: (4912) 24-02-34, e-mail: marketing@rmcp.ru

Sales: Fax: (4912) 24-02-34, 44-19-70, 44-68-07

